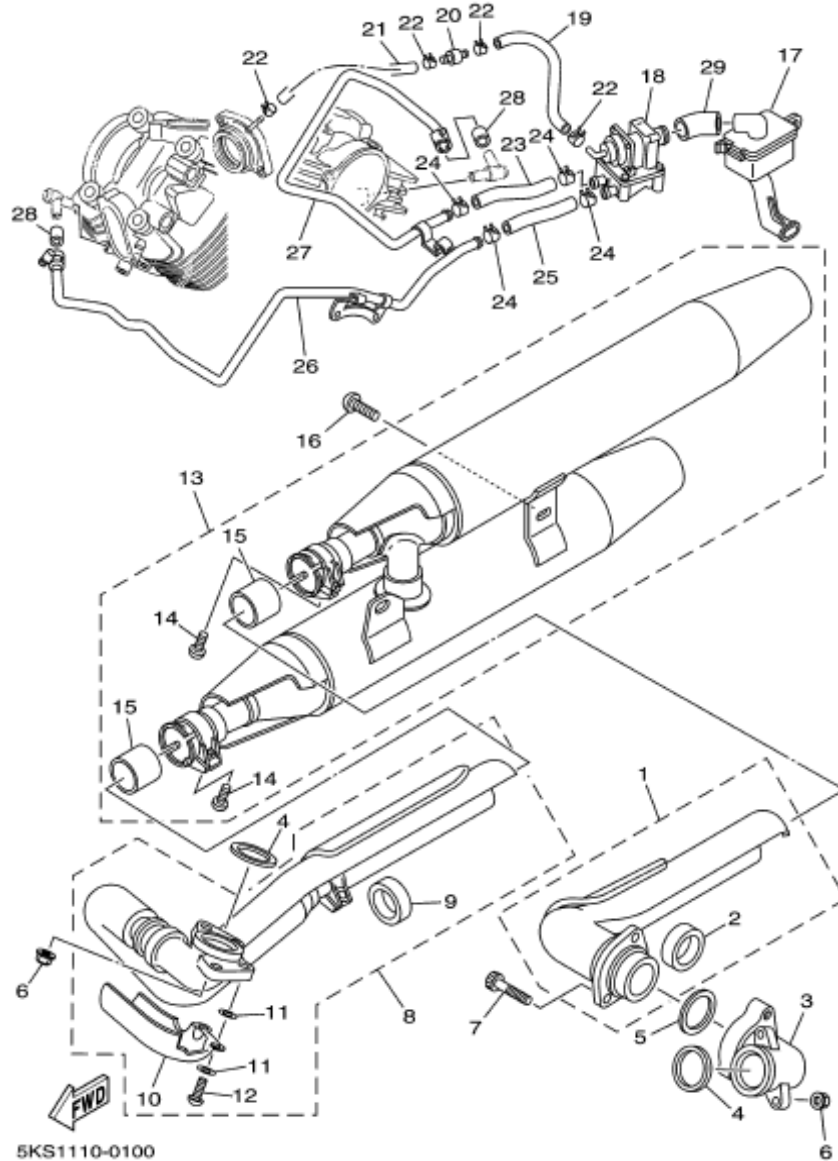


Yamaha VStar 1100 Exhaust diagram



Any questions or comments please email:
bikerbrackets@yahoo.com
Purchase online!
www.bikerbrackets.com

Four screws hold the pipes in place.

* Two exhaust clamp screws that need to be loosened (Locate #14)

* Two (exhaust to frame) mounting screws that need to be removed (Locate #16)

We also have some pictures that help locate the screws for the 1100 exhaust removal on webshots: <http://community.webshots.com/album/86303517loUSHI>